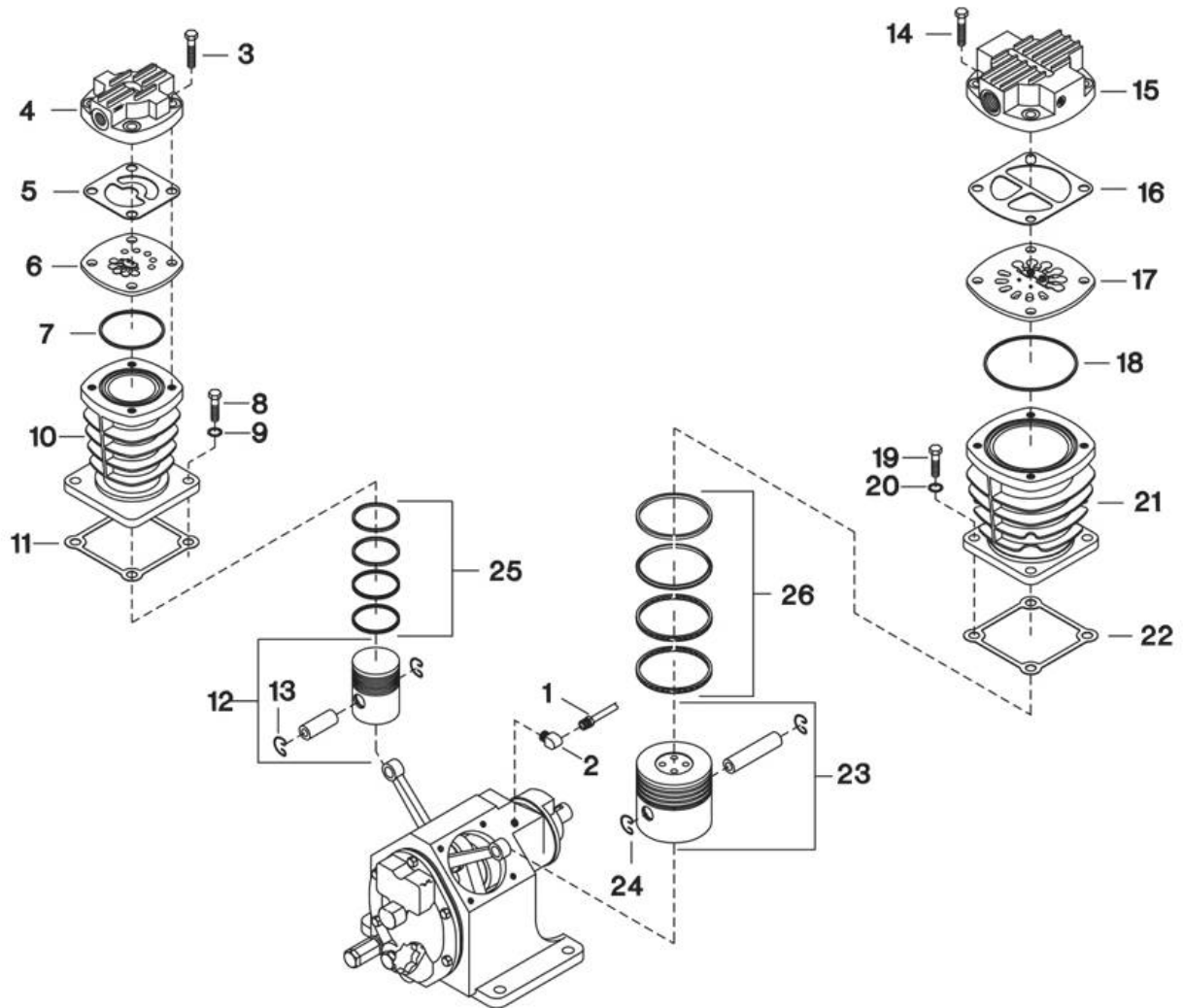


## 4. Bare Compressor - Model 2340



All manufacturer's names, numbers, photos, product description and/or part numbers are used for reference purposes only & it is not implied that any part listed is the product of these manufacturers. Since Approvement are made from time to time, the illustration and specifications are subject to change without notice.

## 4. Bare Compressor - Model 2340

REF. NO.	PART NO.	DESCRIPTION	QTY.	SPARES		
				1	2	3
4-1	32295651	ASSY., TUBE - BREATHER	1			
4-2	95031860	ELBOW, TUBE - 5/16x1/8"	2			
4-3	95104188	CAPSCREW, HEX - 1/2-13x1-3/4"	4			
4-4	32247827	HEAD, HP	1			
4-5	32247926	GASKET, HEAD - HP	1	1	1	2
4-6	REF.	ASSY., VALVE PLATE - HP (SEE FIGURE 2)	1		1	1
4-7	32246878	O-RING - HP	1		1	1
4-8	95035333	CAPSCREW, HEX - 3/8-16x1"	4			
4-9	95674677	GASKET, COPPER - 3/8"	4			
4-10	32294415	CYLINDER, AIR - HP	1			
4-11	32293623	GASKET, FLANGE	1	1	1	2
4-12	32496606	ASSY., HP PISTON - COMPLETE	1		1	1
4-13	35151067	• RING, LOCK	2			
4-14	95104188	CAPSCREW, HEX - 1/2-13x1-3/4"	4			
4-15	32247694	HEAD, LP	1			
4-16	32247934	GASKET, HEAD - LP	1	1	1	2
4-17	REF.	ASSY., VALVE PLATE - LP (SEE FIGURE 3)	1		1	1
4-18	32246910	O-RING - LP	1		1	1
4-19	95035333	CAPSCREW, HEX - 3/8-16x1"	4			
4-20	95674677	GASKET, COPPER - 3/8"	4			
4-21	32293656	CYLINDER - LP	1			
4-22	32293623	GASKET, FLANGE	1	1	1	2
4-23	32496572	ASSY., LP PISTON - COMPLETE	1		1	1
4-24	35151067	• RING, LOCK	2			
4-25	37138237	SET, RING - HP	1			
4-26	32194276	SET, RING - LP	1			

All manufacturer's names, numbers, photos, product description and/or part numbers are used for reference purposes only & it is not implied that any part listed is the product of these manufacturers. Since Approvement are made from time to time, the illustration and specifications are subject to change without notice.